

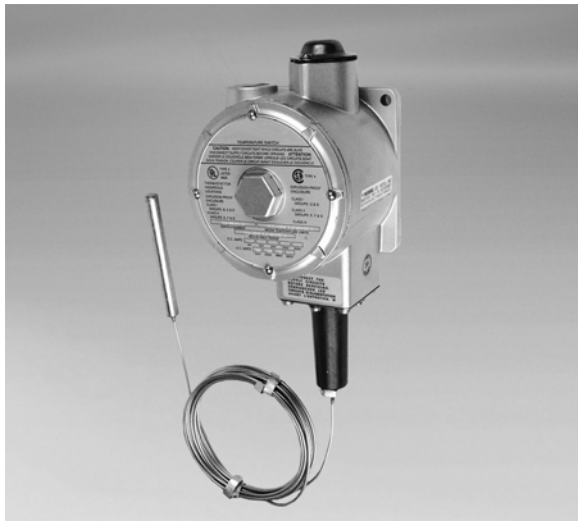
# NELSON™ HEAT TRACE

## TH7600 THERMOSTAT

### SPECIFICATION / APPLICATION

### INSTALLATION

#### DESCRIPTION



#### ENCLOSURE

Cast Aluminum

#### CLASSIFICATIONS

NEMA Type 4, 7, 9 IP66

#### TEMPERATURE RANGE

Range  
160 to 315°C (320 to 600°F)

#### CAPILLARY

<b>Length</b>	<b>Material</b>	<b>Max. Bulb Temperature</b>
3.7m (12ft.)	Stainless Steel	340°C (650°F)

#### ELECTRICAL DATA

<b>CSA Rating</b>	<b>UL Rating</b>
22 amp resistance 480VAC	22 amp resistance 480VAC

#### CALIBRATION ACCURACY

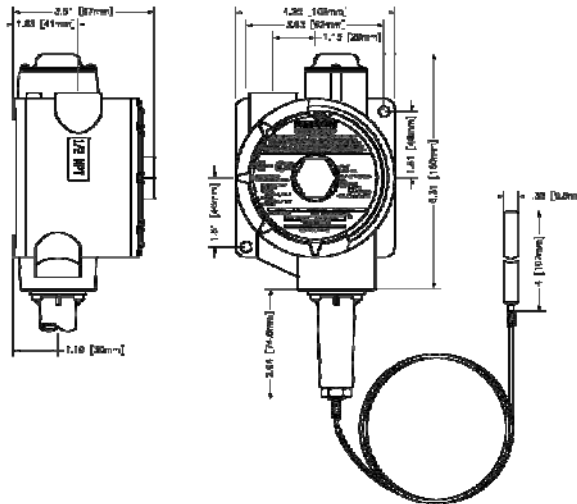
1.6°C (3°F)

#### SWITCH TYPE

Single Pole Double Throw

These thermostats are used for controlling heat tracing systems in hazardous locations. The capillary bulb should be mounted on the side of the pipe.

#### OUTLINE



#### Annual Maintenance:

1. Remove cover.
2. Spray a coat of lubricant and rust preventative such as CRC Stor & Lube, electrical grade, on the thermostat body.
3. Replace cover.

#### Approvals:

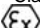
##### Hazardous Locations

UL - Class I, II & III, Groups B, C, D, E, F, G - E58658

CSA - Class I & II, Groups B, C, D, E, F, G - LR34556

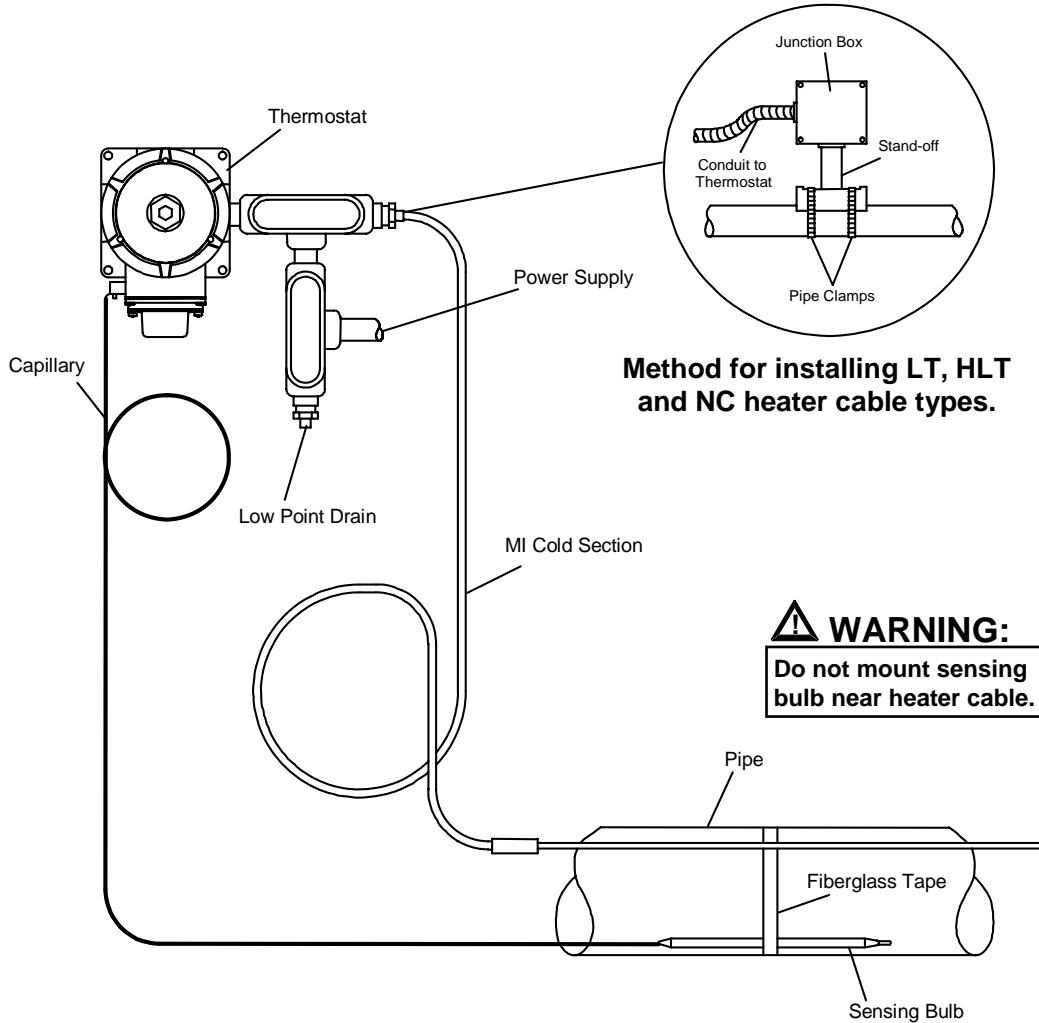
CIII, Encl. Type 4

- Class I, Zone 1, Ex d IIB+ H<sub>2</sub>

ATEX -  II 2 G D, Ex d IIC T6 - ISSeP08ATEX029X

Ex tD A21 IP6X T80°C  
-40°C < T<sub>amb</sub> < +75°C

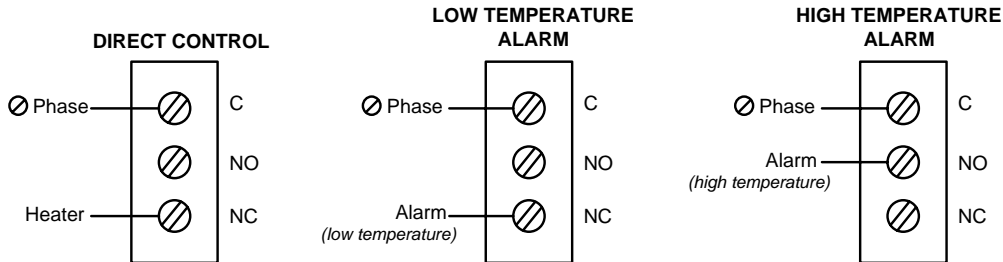
**INSTALLATION**



**Method for installing LT, HLT and NC heater cable types.**

**⚠ WARNING:**  
Do not mount sensing bulb near heater cable.

**WIRING DIAGRAM**



Nelson Heat Tracing Systems products are supplied with a limited warranty. Complete Terms and Conditions may be found on Nelson's website at [www.nelsonheaters.com](http://www.nelsonheaters.com).