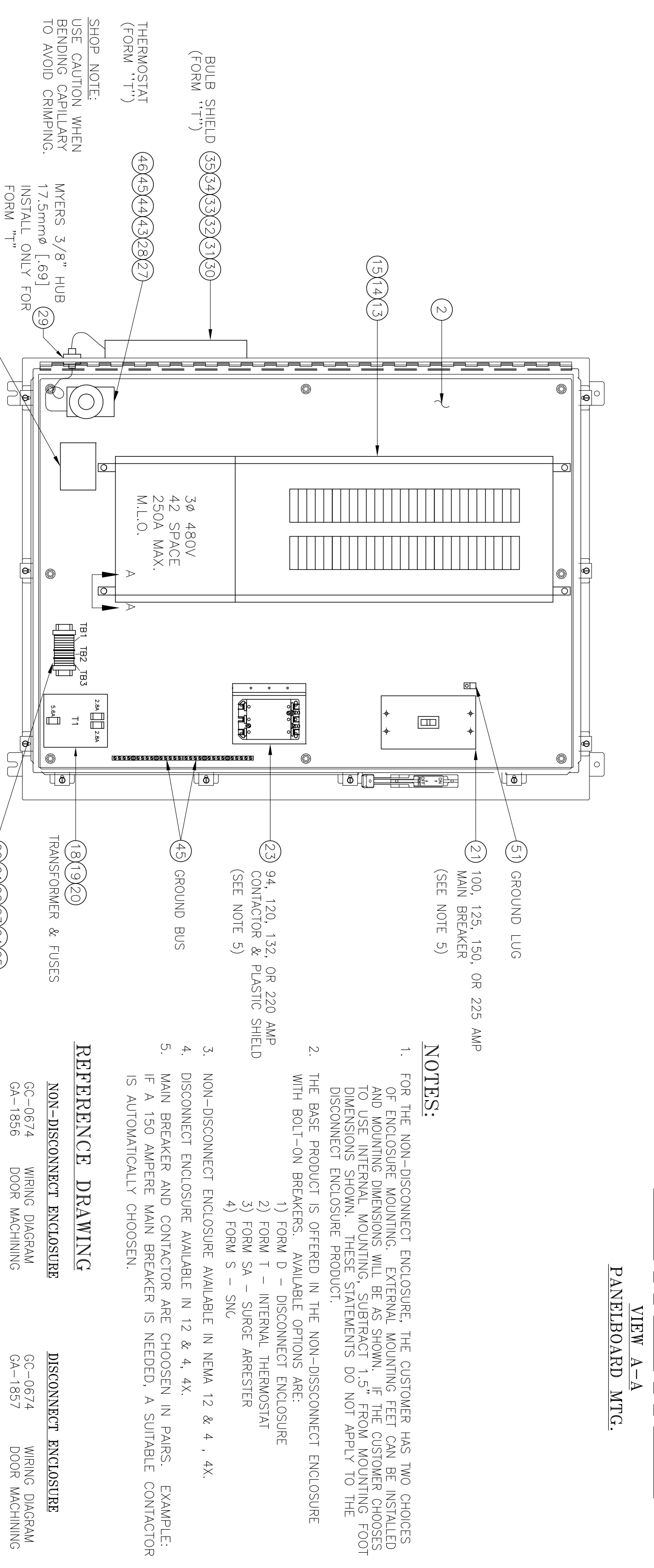
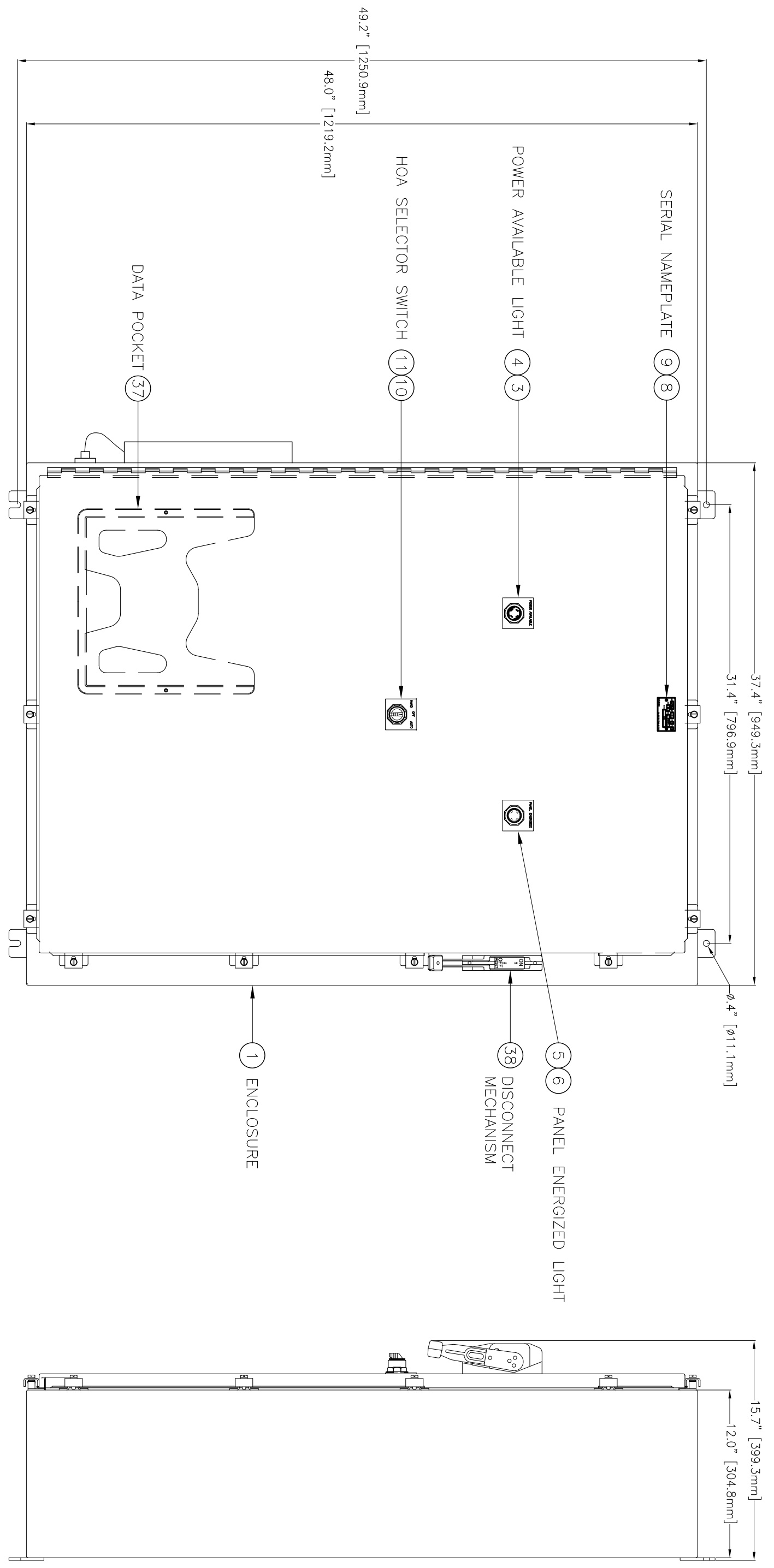


**NON-DISCONNECT ENCLOSURE**



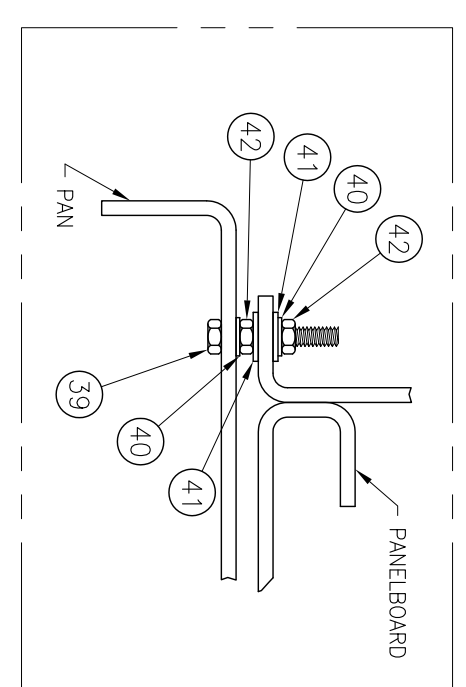
**DISCONNECT ENCLOSURE**

**NOTES:**

- FOR THE NON-DISCONNECT ENCLOSURE, THE CUSTOMER HAS TWO CHOICES OF ENCLOSURE MOUNTING. EXTERNAL MOUNTING FEET CAN BE INSTALLED AND MOUNTING DIMENSIONS WILL BE AS SHOWN. IF THE CUSTOMER CHOOSES TO USE INTERNAL MOUNTING, SUBTRACT 1.5" FROM MOUNTING FOOT DIMENSIONS SHOWN. THESE STATEMENTS DO NOT APPLY TO THE DISCONNECT ENCLOSURE PRODUCT.
- THE BASE PRODUCT IS OFFERED IN THE NON-DISCONNECT ENCLOSURE WITH BOLT-ON BREAKERS. AVAILABLE OPTIONS ARE:
  - FORM D - DISCONNECT ENCLOSURE
  - FORM T - INTERNAL THERMOSTAT
  - FORM SA - SURGE ARRESTER
  - FORM S - SNC
- NON-DISCONNECT ENCLOSURE AVAILABLE IN NEMA 12 & 4, 4X.
- DISCONNECT ENCLOSURE AVAILABLE IN 12 & 4, 4X.
- MAIN BREAKER AND CONTACTOR ARE CHOSEN IN PARS. EXAMPLE: IF A 150 AMPERE MAIN BREAKER IS NEEDED, A SUITABLE CONTACTOR IS AUTOMATICALLY CHOSEN.

**REFERENCE DRAWING**

NON-DISCONNECT ENCLOSURE	DISCONNECT ENCLOSURE
GC-0674 WIRING DIAGRAM	GC-0674 WIRING DIAGRAM
GA-1856 DOOR MACHINING	GA-1857 DOOR MACHINING
GB-0448 FIELD WIRING (3Ø)	GB-0448 FIELD WIRING (3Ø)
GB-0451 SNOW-MELT	GB-0451 SNOW-MELT



REVISION	DATE	BY	DESCRIPTION
R5	06/25/07	DMB	UPDATE ENRTE DRAWING
R4	3/25/97	JKH:J.HALL	CHANGED TO WEST. PNLBD
R3	10/19/96		MANUFACTURE
R2			ISSUED FOR
R1			ASSEMBLY

CLASS	DATE	BY	DESCRIPTION
AP20-PC	04/19/96		2Ø CIRCUIT 277VAC MAX. NEMA 12&4, 4X
GC-304			ASSEMBLY
GC-0674			WIRING DIAGRAM
GA-1857			DOOR MACHINING
GB-0448			FIELD WIRING (3Ø)
GB-0451			SNOW-MELT

DATE	BY	DESCRIPTION
07/19/95	DSON: MOS	ASSEMBLY
07/19/95	APPHD: J.HALL	APPROVED
07/19/95	DOG#: G00358	2Ø CIRCUIT 277VAC MAX. NEMA 12&4, 4X
	SC: 1/8"=1"	D/L

DATE	BY	DESCRIPTION
07/19/95	DSON: MOS	ASSEMBLY
07/19/95	APPHD: J.HALL	APPROVED
07/19/95	DOG#: G00358	2Ø CIRCUIT 277VAC MAX. NEMA 12&4, 4X
	SC: 1/8"=1"	D/L

DATE	BY	DESCRIPTION
07/19/95	DSON: MOS	ASSEMBLY
07/19/95	APPHD: J.HALL	APPROVED
07/19/95	DOG#: G00358	2Ø CIRCUIT 277VAC MAX. NEMA 12&4, 4X
	SC: 1/8"=1"	D/L

COMPANY CONFIDENTIAL - INFORMATION CONTAINED HEREIN IS CONFIDENTIAL. IT IS THE PROPERTY OF GENERAL SIGNAL CORPORATION. IT IS TO BE USED SOLELY FOR THE PROJECT AND NOT BE REPRODUCED OR TRANSMITTED IN ANY FORM OR BY ANY MEANS WITHOUT THE WRITTEN CONSENT OF GENERAL SIGNAL CORPORATION.