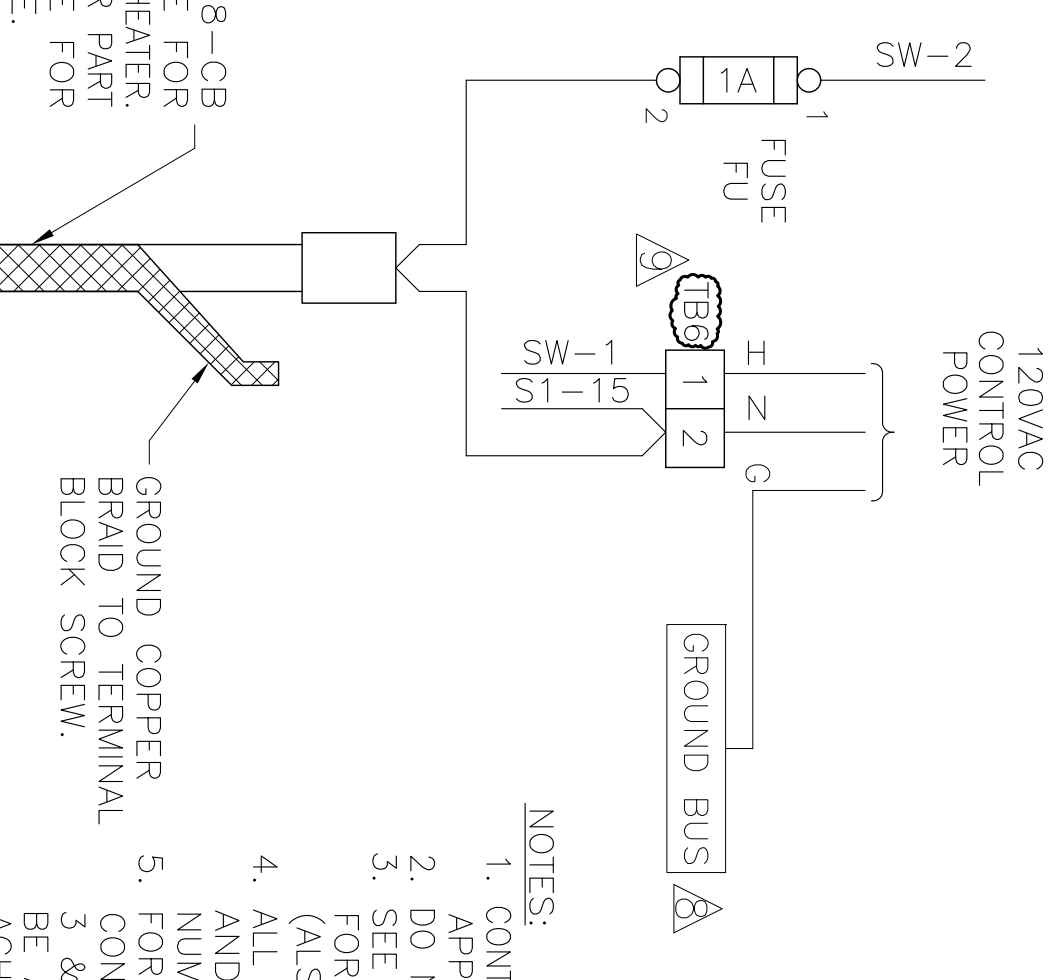
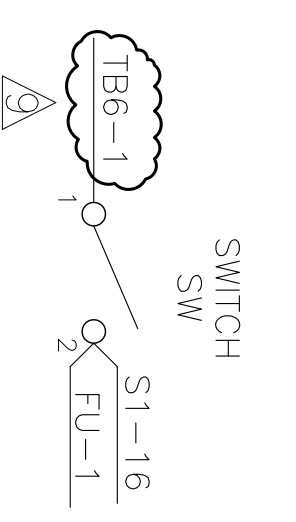
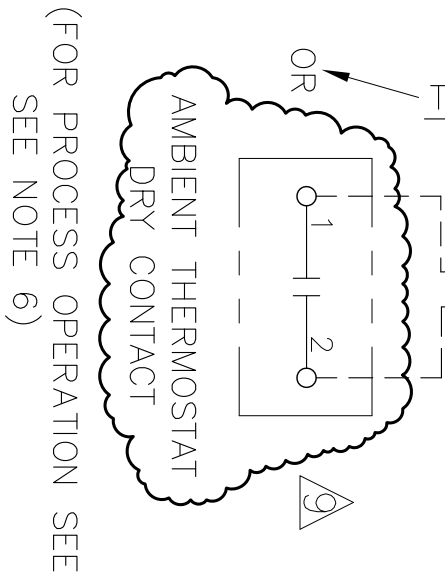
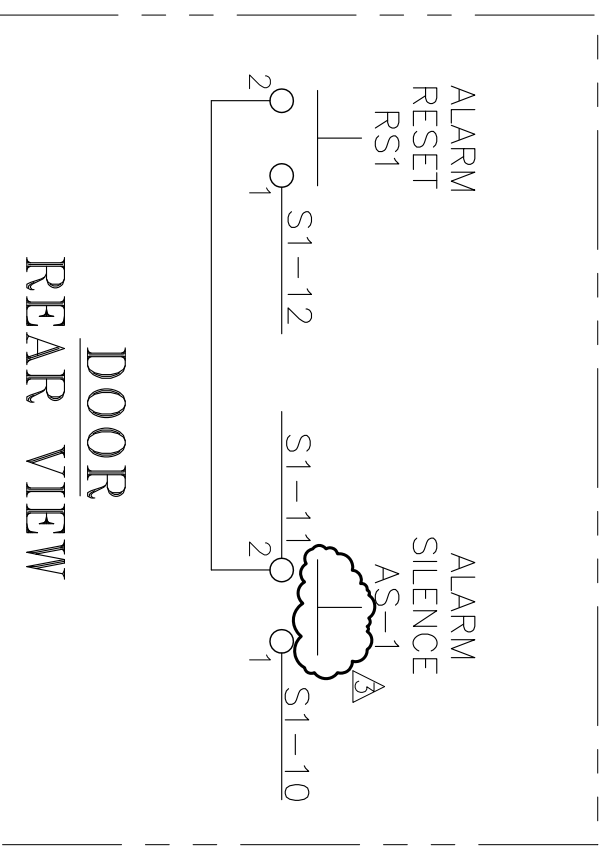


ALARM OUTPUT IS ENERGIZED DURING NORMAL OPERATION. OUTPUT RATING: 120V AC/DC @100MA MAX. OPTIONAL RELAY W/ DRY CONTACTS AVAILABLE.



WIRING DIAGRAM FOR AMBIENT MONITORING

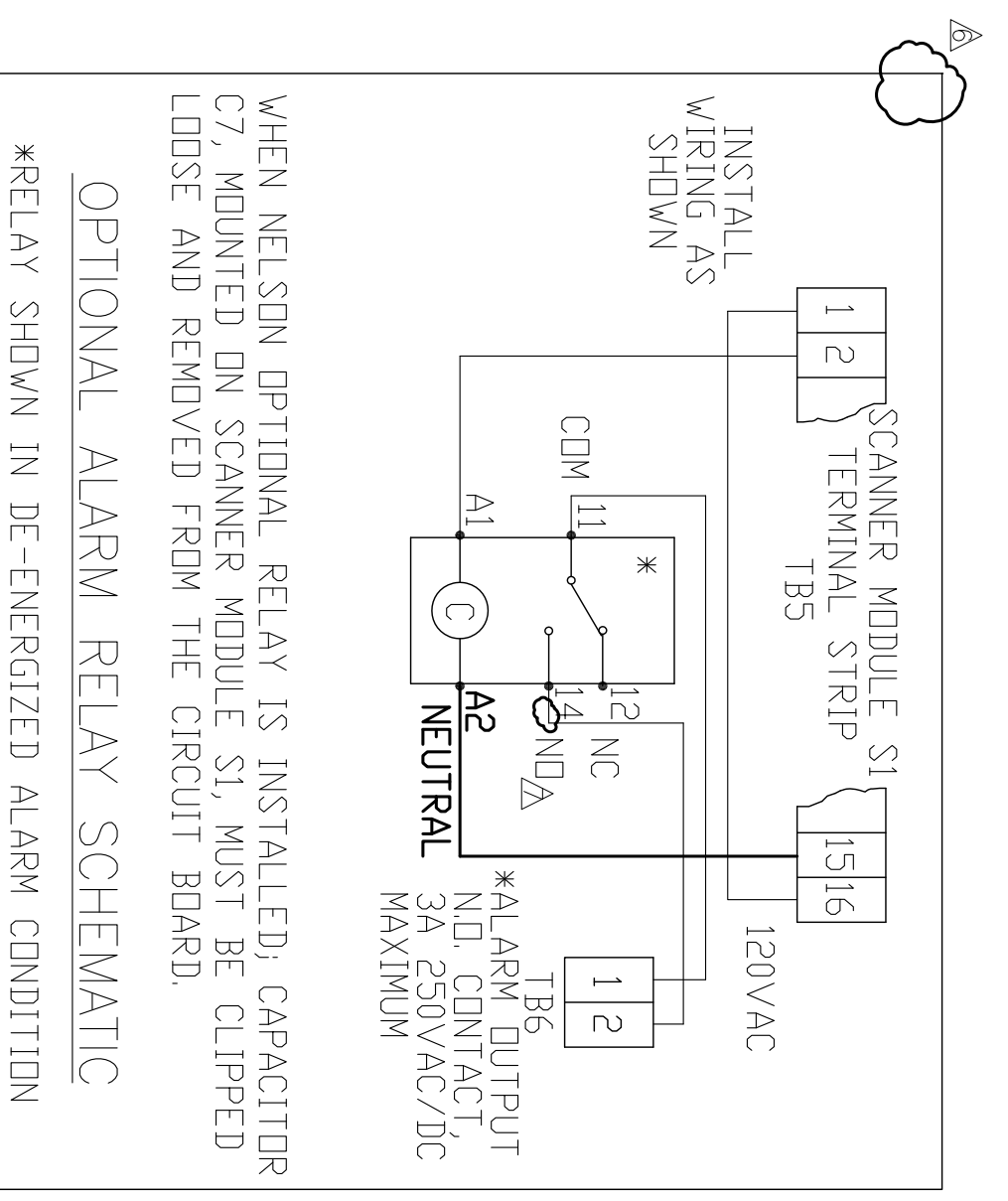
(SEE NOTE 6)

NOTES:

- CONTROL WIRE TO BE #18 TYPE SIS (DOES NOT APPLY TO RIBBON CABLE).
- DO NOT ROUTE RIBBON CABLE IN WIRE DUCTS.
- SEE INSTRUCTION SHEET ON REAR OF DOOR FOR IDENTIFICATION OF OPTION FEATURES. (ALSO REPRODUCED TO THE RIGHT).
- ALL WIRES TO HAVE INSULATED SPADE LUGS AND NATYAR TUBING WITH PRINTED WIRE NUMBERS.
- FOR AMBIENT OPERATION A THERMOSTAT DRY CONTACT CAN BE WIRED BETWEEN TB5 TERMINALS 3 & 11. ALSO 120VAC, FROM A THERMOSTAT, CAN BE APPLIED BETWEEN TB5 TERMINALS 4 & 5 TO ACHIEVE THE SAME AMBIENT OPERATION. ONE OR THE OTHER MUST BE ACCOMPLISH FOR PROPER OPERATION.
- FOR PROCESS OPERATIONAL WIRING SEE DRAWING FD0640.

5 FT. OF LT-8-CB HEATING CABLE FOR USE AS SPACE HEATER MOUNT IN UPPER PART OF ENCLOSURE FOR BEST RESPONSE.

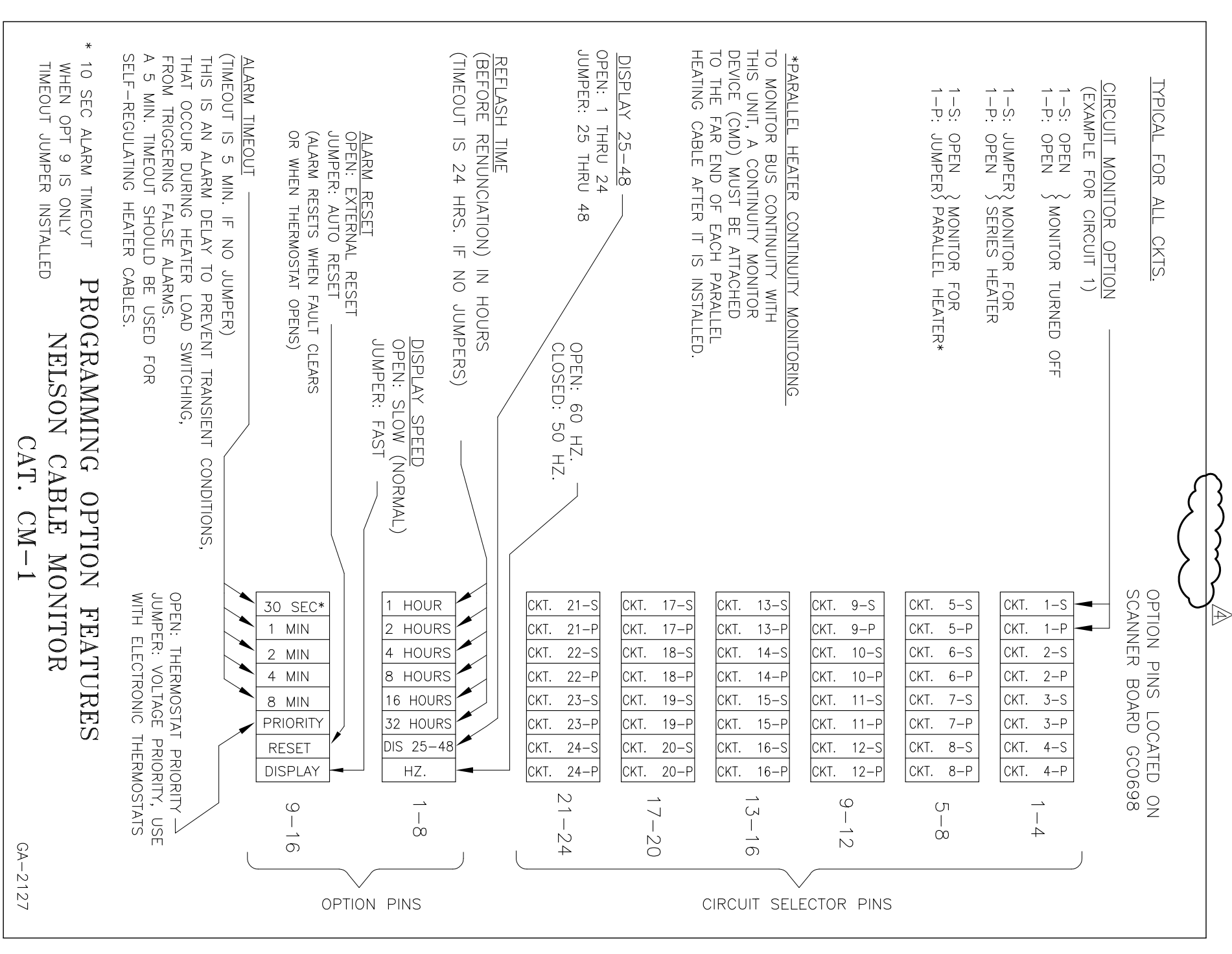
GROUND COPPER BRAID TO TERMINAL BLOCK SCREW.



WHEN NELSON OPTIONAL RELAY IS INSTALLED, CAPACITOR C7, MOUNTED ON SCANNER MODULE S1, MUST BE CLIPPED LOOSE AND REMOVED FROM THE CIRCUIT BOARD.

OPTIONAL ALARM RELAY SCHEMATIC

*RELAY SHOWN IN DE-ENERGIZED ALARM CONDITION



PROGRAMMING OPTION FEATURES

NELSON CABLE MONITOR

CAT. CM-1

GA-2127

DATE	REVISION	DESCRIPTION
9/1/00	R4	CORRECT OPTION CHART
4/11/01	R5	CHANGE CHANGE NUMBERS
12/14/01	R6	CHANGE CMC TO OPTIONAL DELAY CMC
03/10/03	R7	CHANGE ALARM RELAY CONTACT WIRING
06/2/05	R8	REMOVE DIMMING & SHOW GND BUS
07/07/07	R9	REMOVE ONE CONTACT FROM E-STOP & REMOVE CMC
06/13/08	R10	CORRECT WIRING & ADD WIRE.

DATE	REVISION	DESCRIPTION
9/1/00	R4	CORRECT OPTION CHART
4/11/01	R5	CHANGE CHANGE NUMBERS
12/14/01	R6	CHANGE CMC TO OPTIONAL DELAY CMC
03/10/03	R7	CHANGE ALARM RELAY CONTACT WIRING
06/2/05	R8	REMOVE DIMMING & SHOW GND BUS
07/07/07	R9	REMOVE ONE CONTACT FROM E-STOP & REMOVE CMC
06/13/08	R10	CORRECT WIRING & ADD WIRE.

DATE	REVISION	DESCRIPTION
9/1/00	R4	CORRECT OPTION CHART
4/11/01	R5	CHANGE CHANGE NUMBERS
12/14/01	R6	CHANGE CMC TO OPTIONAL DELAY CMC
03/10/03	R7	CHANGE ALARM RELAY CONTACT WIRING
06/2/05	R8	REMOVE DIMMING & SHOW GND BUS
07/07/07	R9	REMOVE ONE CONTACT FROM E-STOP & REMOVE CMC
06/13/08	R10	CORRECT WIRING & ADD WIRE.

GENERAL CONVENTIONS: UNLESS OTHERWISE NOTED, ALL DIMENSIONS ARE IN INCHES. DIMENSIONS IN PARENTHESES ARE FOR REFERENCE ONLY. THE PROPERTY OF NELSON HEAT TRACING, INC. IS TO BE USED SOLELY FOR THE PURPOSE PROVIDED, AND IT IS NOT TO BE DISCLOSED TO OTHERS WITHOUT PRIOR WRITTEN CONSENT OF NELSON HEAT TRACING.

CONFIDENTIAL PROPERTY OF NELSON HEAT TRACING SYSTEMS
 WIRING DIAGRAM
 CONTINUITY ALARM PANEL
 12 CIRCUITS
 CLASS 304
 DSGN: TKM
 APP'D: JKH
 DOC#: FD599
 SC: NONE
 D/L

NEILSON HEAT TRACING SYSTEMS
 CAT. CM-1-12
 PHONE: (918)222-8300
 FAX: (918)222-8308
 REF: EC-835 DATE
 FD-599