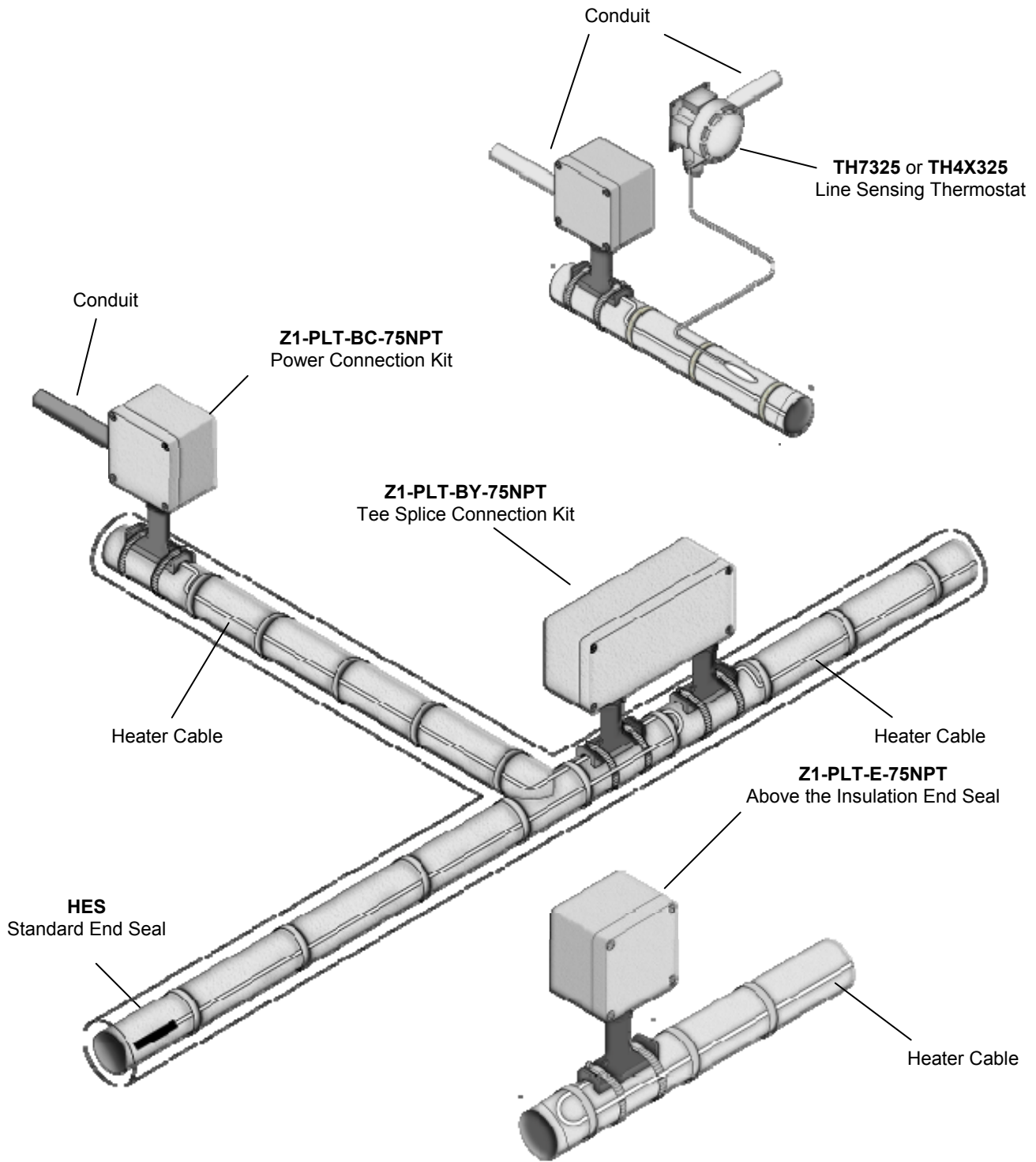


# NELSON™

INTEGRAL CONNECTION SYSTEM  
Z1-PLT FOR CONDUIT SYSTEMS

## SELECTION GUIDE



Nelson Heat Tracing Systems products are supplied with a limited warranty. Complete Terms and Conditions may be found on Nelson's website at [www.nelsonheaters.com](http://www.nelsonheaters.com).