



Kit Contents

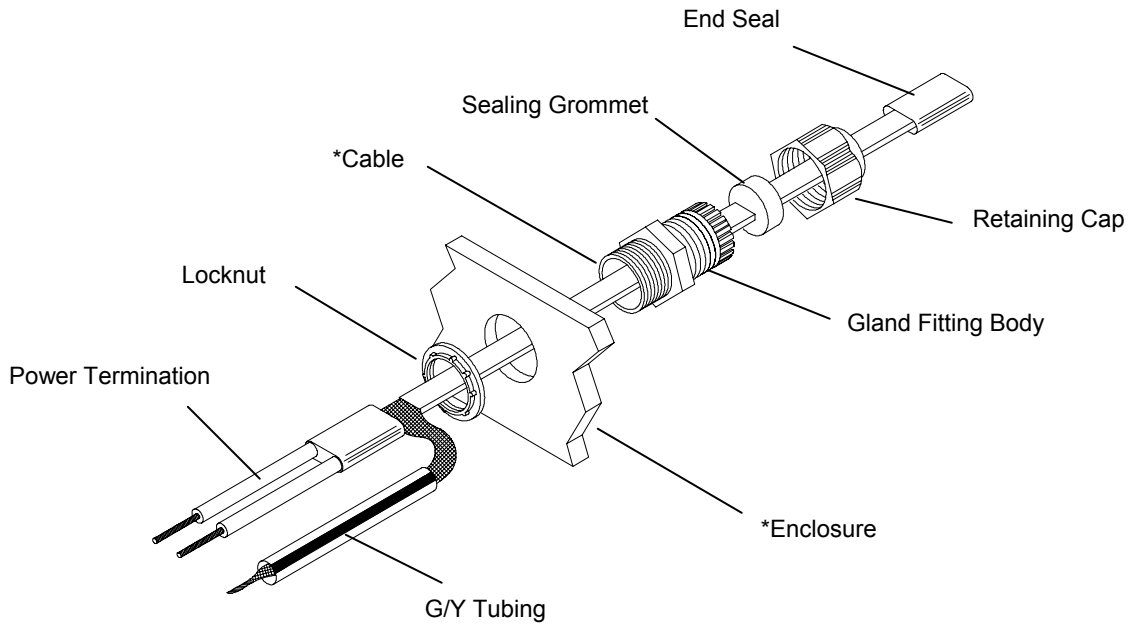
- 1 Cable Gland, .M25 thread
- 1 Locknut
- 1 Sealing Grommet
- 1 Power Termination, 101.6mm (4.0")
- 1 End Seal
- 1 Tube of Silicone
- 1 G/Y Tubing, 9.5 mm (0.38") diameter, 152mm (6.0") length

Description:


The GHK-M25 Termination Kit provides heater cable terminations and watertight entry into an enclosure with minimum IP54 environmental ratings.

The gland fitting is suitable for use with any approved enclosure with a maximum wall thickness of 4.76mm or with M25 threaded openings. A locknut is provided

for use with non-threaded openings. This kit is designed for use with all wattages of Nelson Heat Tracing Systems LT-J, LT-JT and HLT-J heater cables.



Approvals:

 II 2 GD EEx e II
 KEMA 03ATEX2020 X



Ex e II -40°C ≤ Tamb ≤ +55°C
 CSA 1665370 / 1665383

Nelson Heat Tracing Systems products are supplied with a limited warranty. Complete Terms and Conditions may be found on Nelson's website at www.nelsonheaters.com.

