



### Kit Contents

- 1 Mounting Bracket
- 4 Cheesehead Screws
- 4 Nuts
- 4 Plain Washers
- 4 Lock Washers

### Description:

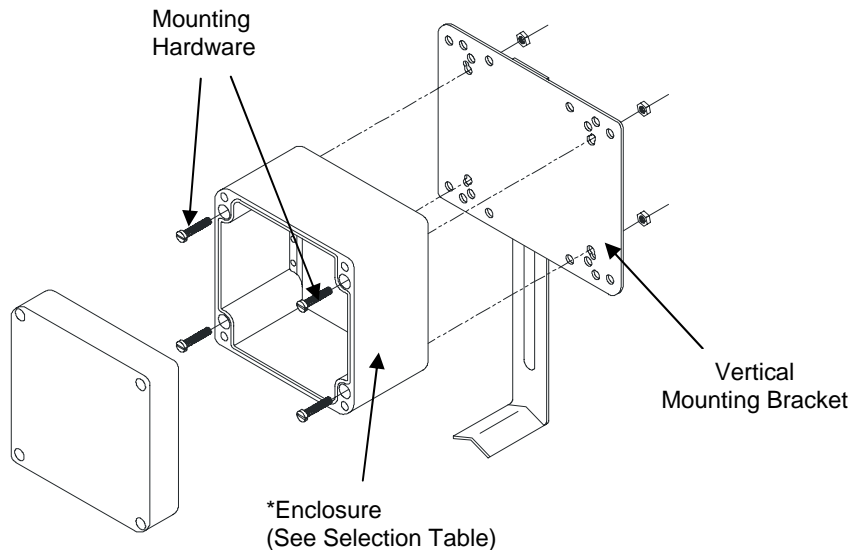
Nelson's BRK-V is designed to mount standard enclosures or thermostats to suitable piping systems or metallic thermal

insulation lagging. The BRK-V is manufactured of 304 stainless steel for use in most corrosive industrial environments. The bracket is

mounted using 1 or 2 pipe clamps ordered separately. Enclosures are mounted utilizing the supplied hardware.

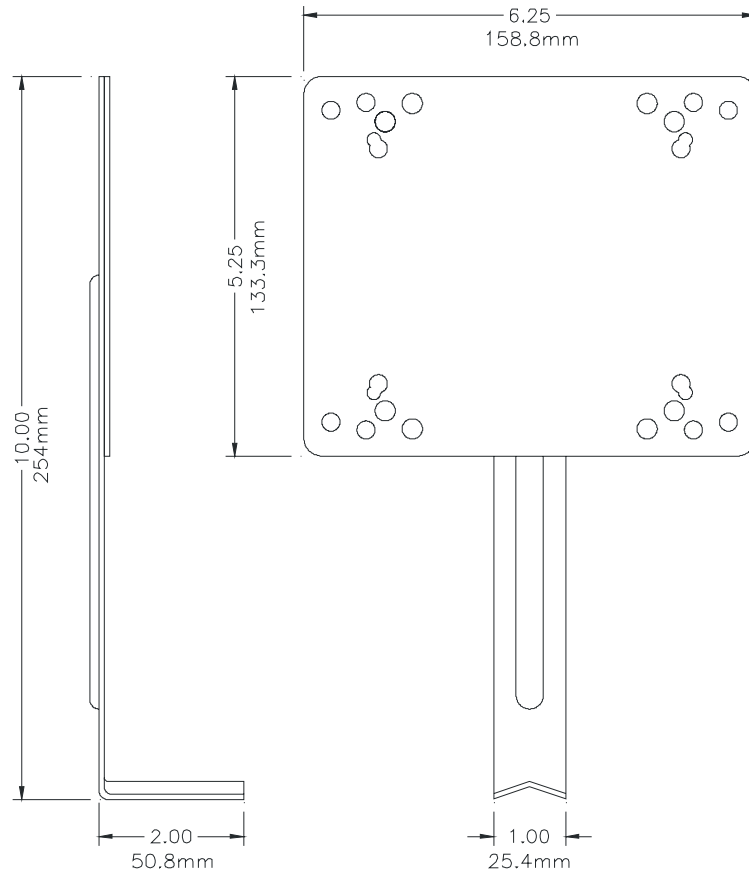
### Outline

ENCLOSURE SELECTION
EXCJB31-M25
EXCJB31CP-M25
EXCJB21-M25
EXCJB21CP-M25
JB22-M25
TF4X40
TH4X325
TH7325
TA4X140
TA7140



**\* ITEMS NOT INCLUDED IN KIT**

### Dimensional View



Nelson Heat Tracing Systems products are supplied with a limited warranty. Complete Terms and Conditions may be found on Nelson's website at [www.nelsonheaters.com](http://www.nelsonheaters.com).