



ALT-LP Connection Kit:

The ALT-LP Connection Kit is suitable for connecting up to two heating cables to customer supplied power wiring or as an in-line splice configuration utilizing a customer supplied junction box.¹

Kit Contents:

- 1 Universal Base, Box Adapter, Sealing Gasket and Locknut
- 1 Sealing Grommet (Specify Cable Construction)



ALT-LPM Connection Kit:

The ALT-LPM Connection Kit is suitable for connecting up to two heating cables to customer supplied power wiring or as in an in-line splice configuration utilizing a customer supplied junction box.¹ This kit differs from the ALT-LP in that it also contains molded silicone cable terminations and the standard terminal block.

Kit Contents:

- 1 Universal Base, Box Adapter, Sealing Gasket and Locknut
- 1 Sealing Grommet (Specify Cable Construction*)
- 1 Power Termination and Cable End Seal with Adhesive Sealant
- 1 3-Point Floating Terminal Block
- * Selection of -U grommet includes (1) additional power termination and (1) additional end seal for multiple cable entry.



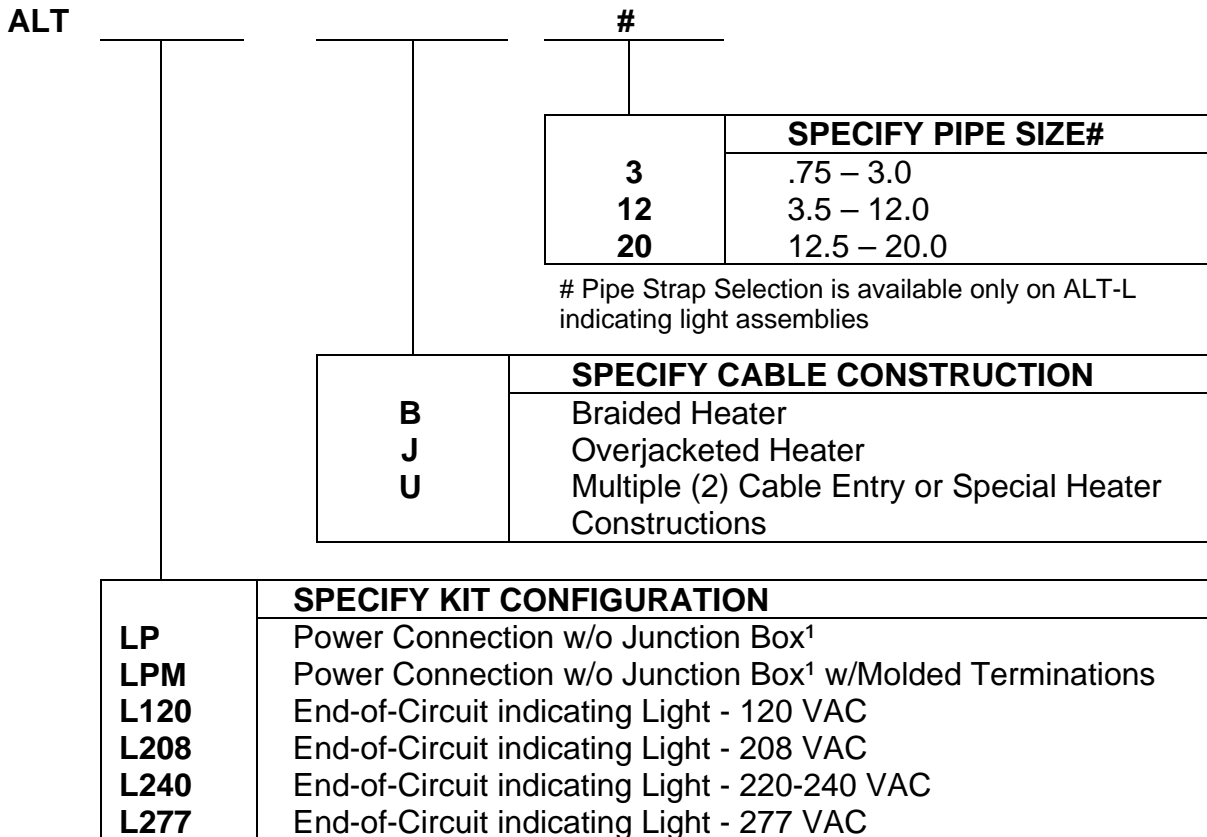
ALT-L Connection Kits:

The ALT-L Connection Kits are designed as end-of-circuit indicating light assemblies utilizing low temperature LED lamps. The -L is selectable for 120/208/240/277VAC operation.

Kit Contents:

- 1 Universal Base, Box Adapter, Sealing Gasket and Locknut
- 1 Junction Box with Sealing Gasket and Cover
- 1 Pilot Light Assembly
- 1 Sealing Grommet (Specify Cable Construction)
- 1 Power Termination with Adhesive Sealant
- 2 Stainless Steel Pipe Clamps (Specify Pipe Size)

Nelson's ALT Series aluminum connection kits include all components necessary to complete the installation of Nelson's full line of heat tracing cables. The selection tables below allow for the proper specifying of the complete connection kit assembly (example: ALT-LPM-J).



¹ Suitable for use with any approved industrial enclosure with a maximum wall thickness of .1875" or conduit outlet/junction box with .75" threaded hubs.

Nelson Heat Tracing Systems products are supplied with a limited warranty. Complete Terms and Conditions may be found on Nelson's website at www.nelsonheaters.com.

